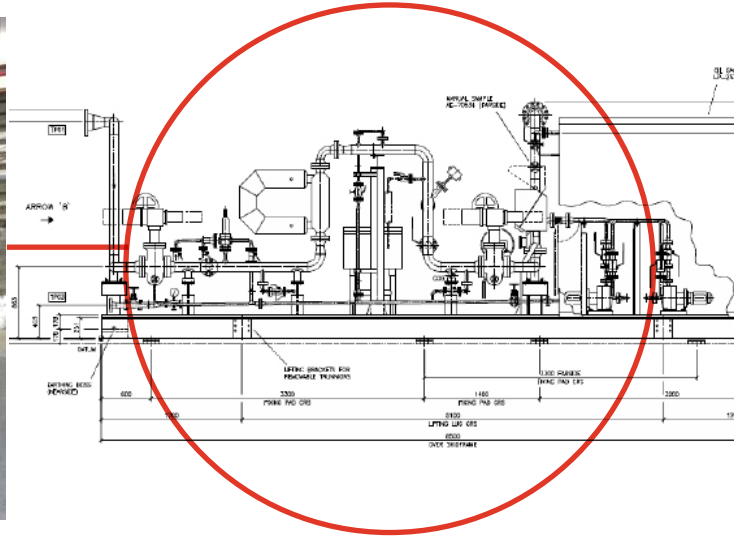


C188 | BP | Oselvar Project

Oil & Gas Metering Skids



Project:	Oselvar	Contractor:	Aker Solutions	End User:	BP
Product:	Oil & Gas Metering Skids	Location:	Norway, Offshore	Year:	2006

Application

This contract was placed by Aker Solutions on SGC and together SGC and OGS delivered both the Oil and Gas Metering Skids. The location of the project was the BP Oselvar asset in the Norwegian sector of the North Sea.

Description

The scope of supply consisted of the following major items:

- The Gas Metering Skid had an 8" inlet with 6" meter streams and a 4" outlet. The piping material was Low Temperature Carbon Steel (LTCS). The overall dimensions of the gas skid were 7.5m x 2.5m x 2.7m and it weighed approximately 7,800kg.
- The Oil Metering Skid had 6" inlet and outlet and 4" meter streams. The piping material was Duplex Stainless Steel of class 300#. The overall dimensions of the skid were 8.5m x 2.5m x 2.9m and it weighed approximately 8,700kg.
- A Fast Loop Oil Sampling System was provided in a Stainless Steel enclosure mounted on the oil metering skid and comprised of a water cut meter, flow meter, duty/standby densitometers; daily and monthly grab samplers feeding monthly & Spot (Back-up) "Promix" Sampling System.
- The 'SGC' Control Panel had 2 bays containing 2 x S600 Gas Flow Computers, 2 x S600 Oil Flow Computers and 1 x S600 Water & Oil Quality Meter.
- A Krohne Produced Water Meter and spare Coriolis Meter with carrying case were supplied as loose items.

Challenges

Some of the challenges OGS faced and overcame during the execution of the project included:

- The week prior to delivery, the client advised OGS of a change in the design specification for our package.

- The Gas system was designed with a slope in one direction so that excess condensate liquids could be drained away.
- This unfortunately needed to be in the opposite direction.
- OGS redesigned the package and agreed to rectify the issue. The package was finished 4 weeks later.
- The BP/Aker Solutions project team specifically praised OGS' management of the change, the execution of the contract overall and the quality of the packages on completion of the contract.

