



Oil & Gas Systems Limited

Company Profile



Oil & Gas Systems Limited (OGS) designs and manufactures high quality metering and packaged process systems for the oil, gas, petrochemical and power generation industries.

Our primary product groups are:

- Metering – Liquid and gas metering (fiscal, custody transfer and allocation), sampling & analysis and prover systems
- Process – Fuel gas conditioning systems, gas compression & turboexpander packages and produced water treatment systems
- Engineering Services – Conceptual, front end and detailed design engineering for packages within our core product range; on-site equipment surveys/audits
- After Sales Services – Site supervision of installation and commissioning, training, service & support contracts and spares management



Our bespoke engineered systems are produced in accordance with client specifications and local/international standards. OGS' expert team is focused on providing the highest quality whilst ensuring reliably managed delivery schedules and accurate, timely documentation.

OGS undertakes the complete design and supply of skid mounted or packaged equipment and our scope of supply typically covers all stages of project execution including:

- Detailed design and engineering
- Project management
- Manufacture
- Calibration, integrated testing and certification
- Start-up and commissioning supervision
- Shipping and packing
- Training and support

Since the company was established in 1989, we have continuously developed our approach to design, procurement, project management, assembly, testing and supply of packaged equipment.

OGS was one of the first systems integrators to achieve ISO 9001 approval. Now, our approvals include:

- ISO 9001:2015 - Quality Management System Registration
- ISO/TS 29001:2011 - Petroleum, petrochemical and natural gas industries - Sector Specific Quality Management System
- BS OHSAS 18001:2007 - Health & Safety Management System

We are approved by a wide range of operating companies worldwide which include BP, Shell, Chevron, BG, Saudi Aramco, PDO and ADNOC Group Companies, KOC and KNPC. We are also registered on the FPAL and Achilles databases for the UK (Supply Line) and Norway (JQS) and are a GE Global Source approved supplier.

Workshops

OGS is one of only a few systems integrators to have our own fabrication, manufacturing and assembly workshops. Our UK based fabrication facilities have completed modules up to 368 tonnes and up to 35m (L) x 13m (W) x 10m (H).

A 'black build' of all packages is included in the schedule and carried out prior to Non - Destructive Testing (NDT) and painting. This milestone allows mechanical fit-up and positional welding to ensure no clashes and a perfect fit during final assembly. From a customer perspective, it offers the opportunity to view the product at an early stage in the schedule and request any necessary alterations.



We undertake the installation and hook-up of electrical and pneumatic instrumentation and controls. All necessary visual, pressure test and NDT inspections are carried out as required and full package Functional Acceptance Testing (FAT) in accordance with client requirements.

Wet flow testing for Liquid Metering Skids can also be provided if required.

Clean workshops are available for the manufacture and testing of sampling and analysis systems and complete analyser houses.

Workshop	Size (m ²)	Overhead Cranes	Door Openings
Fabrication Workshop	1000	3.2 & 10 tonne	5.5m (W) x 4.9m (H)
Assembly Workshop	1000	3.2, 8 & 24 tonne	8.5m (W) x 5m (H)

Materials of construction include carbon steel, stainless steel and duplex alloys.



Coded work capability:

- Structural Steel: AWS D1, EN 15614
- Piping: ASME B31.1, B31.3, B31.4 & B31.8

Additional Info:

- 5 Overhead cranes ranging up to 24 tonnes
- Machining area
- 3 Fabrication bays
- 3 Welding bays
- 3 Pipe fabrication bays
- Dedicated 300m² stainless steel fabrication area

Key stages of typical project workflow are reflected below.

OGS
Oil & Gas Systems Limited

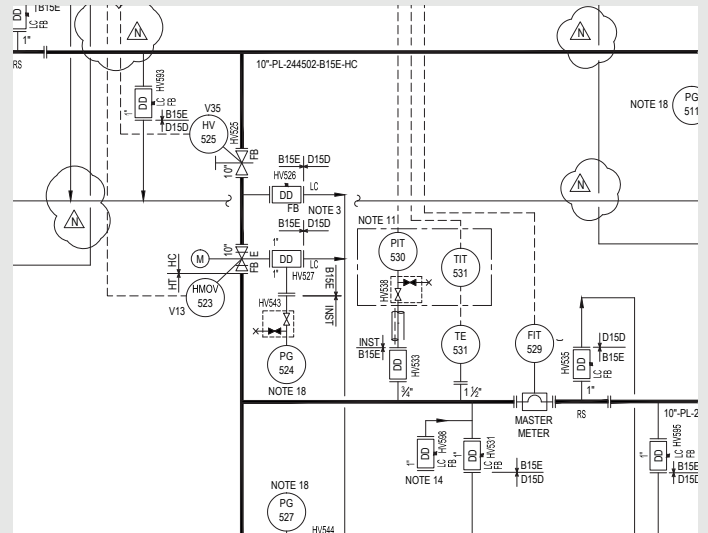
Oil & Gas Document Management System

Home | Admin | SDR by COID | List | Internal docs | Not returned | Late returns | Not issued | Outstanding reviews | Late OGS submits | Doc Status

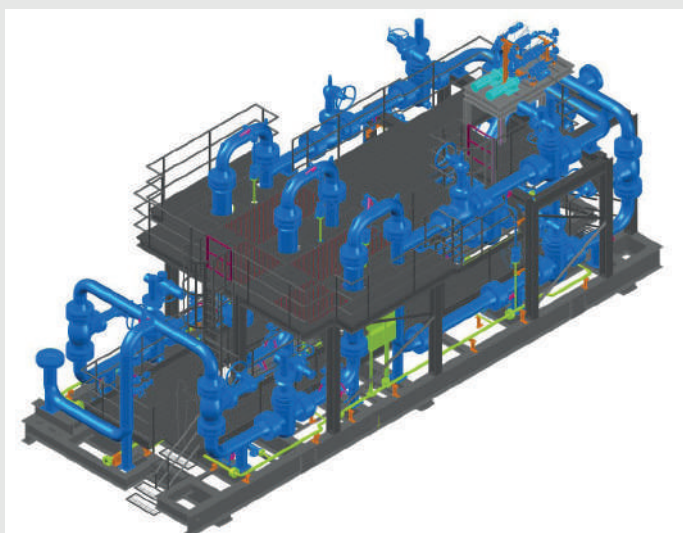
Supplier Document Register - Customer Format

Customer Doc ID	OGS ID	Supplier Doc. ID	Title / Subtitle	Required Date	Submission Date	Trans. No.	Return Date	Review Status
BA1-001	C30-001-002-Q	-	Supplier Document Register	05-Sep-2013	23-Aug-13	40	25-May-14	Approved
BA2-001	C30-003-002-D	-	Production Schedule / Fabrication / Production Schedule	15-Aug-2013	02-Aug-13	327	12-Aug-13	Approved
BA3-001	C30-009-002-A	-	Custom Document / PROGRESS REPORT	-	-	-	-	-
BA4-001	C30-002-002-A	-	Custom Document / Bought Out Item List (Schedule of Sub-Orders)	10-Oct-2013	27-Sep-13	313	11-Oct-13	Approved
BA1-001-01	C30-001-002-H	-	General Arrangement Drawing / Oil Export Metering Skid Z-2400	23-Jan-2013	09-Jan-13	231	11-Jan-13	Approved
BA1-002-01	C30-004-002-E	-	Panel General Arrangement Drawing / Oil Export Sales Gas & Control Panel	07-Aug-2013	24-Jul-13	300	12-Jul-13	Approved
BA1-003-01	C30-004-002-A	-	Panel General Arrangement Drawing / Oil Export Sales Gas & Control Panel	28-Jun-2013	24-Jul-13	285	13-Aug-13	Approved
BA1-002-02	C30-004-002-B	-	Panel General Arrangement Drawing / Oil Export Sales Gas & Control Panel	28-Aug-2013	14-Aug-13	301	19-Sep-13	Approved
BA1-003-02	C30-003-004-H	-	General Arrangement Drawing / Sales Gas Metering Skid	03-Jan-2013	20-Dec-12	221	28-Jan-13	Approved
BA1-002-03	C30-002-002-H	-	General Arrangement Drawing / Oil Sampling System Cabinet SSP-2402	26-Feb-2013	12-Feb-13	224	21-Feb-13	Approved
BA1-005-01	C30-001-004-H	-	General Arrangement Drawing / Sales Gas Analyser Shelter SSP-3001	14-Nov-2013	29-Nov-13	338	01-Dec-13	Approved
BA1-001-03	C30-001-002-C	SSD0401H001 (Hydrate)	General Arrangement Drawing / Coriolis Meter	23-Aug-2012	23-Aug-12	138	31-Aug-12	Approved
BA1-008-01	C30-001-002	-	General Arrangement Drawing	13-Feb-	-	-	31-	-

OGS Patented Document Control System



Intelligent Process & Instrumentation Diagrams (P&IDs)



3D CAD Plant Modelling & Design



Completed Skid Package

Revision 11/2018